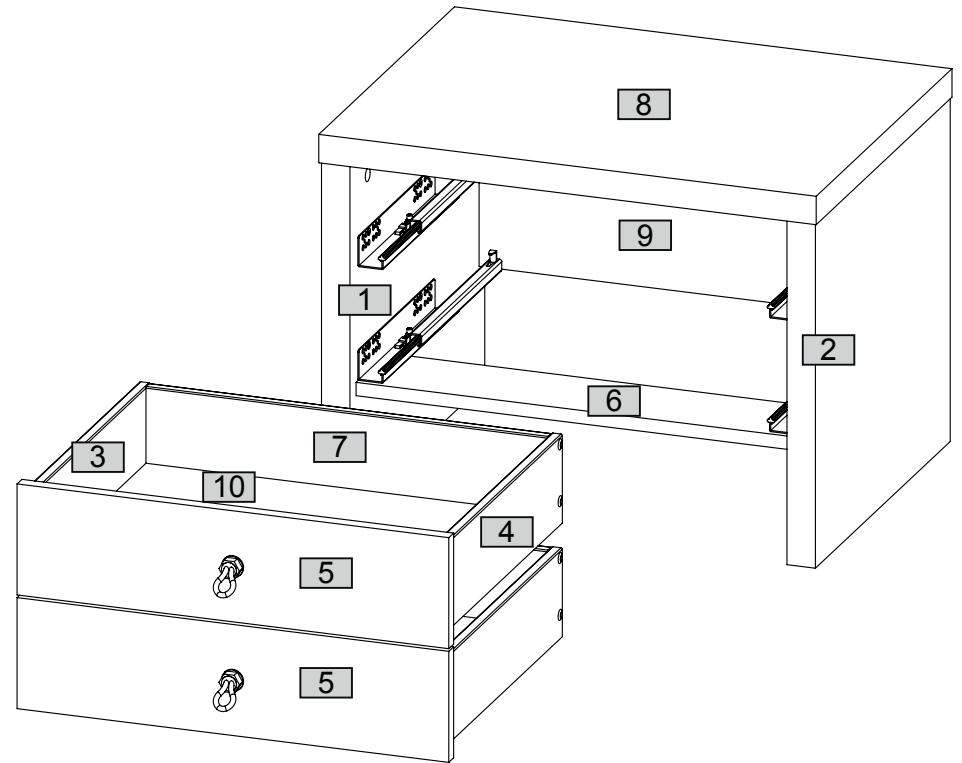
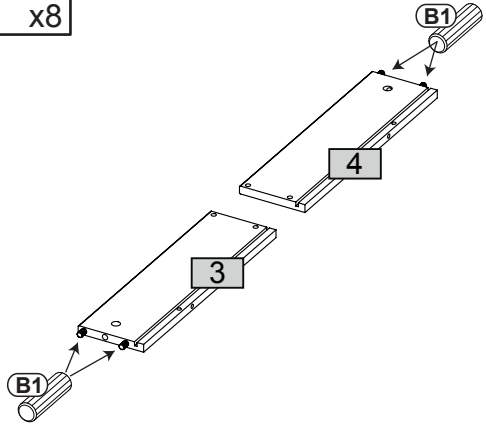
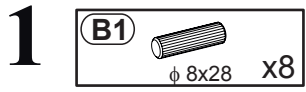
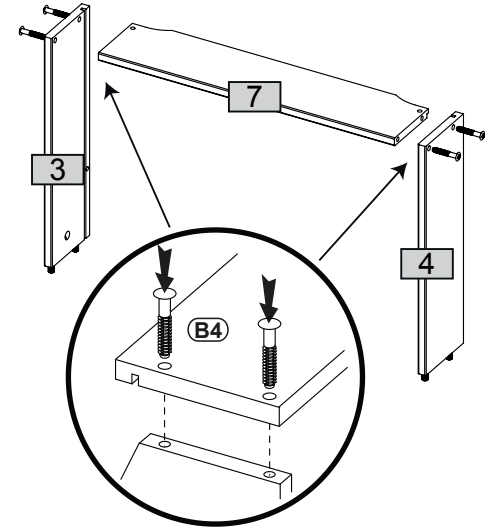
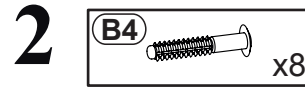


Nr				
1	388	417	32	1
2	388	417	32	1
3	350	100	12	2
4	350	100	12	2
5	486	125	15	2
6	492	96	15	1
7	452	100	12	2
8	560	420	32	1
9	492	250	15	1
10	463	349	2	2

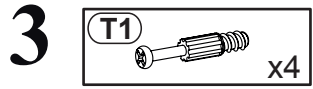




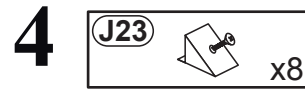
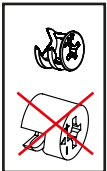
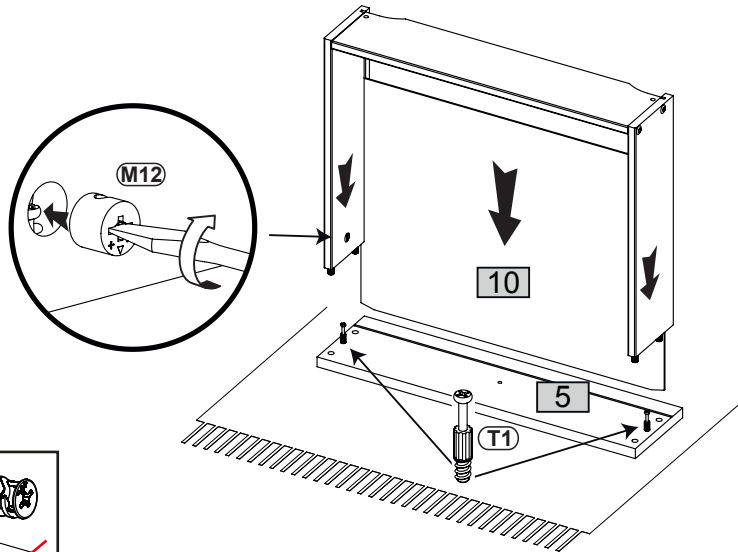
x2



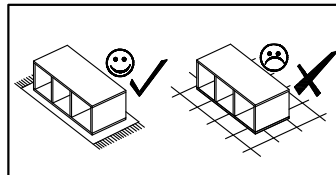
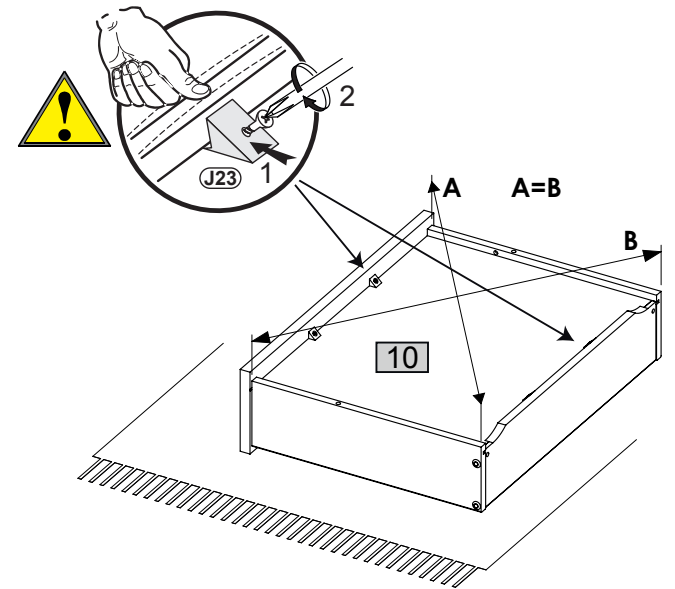
x2



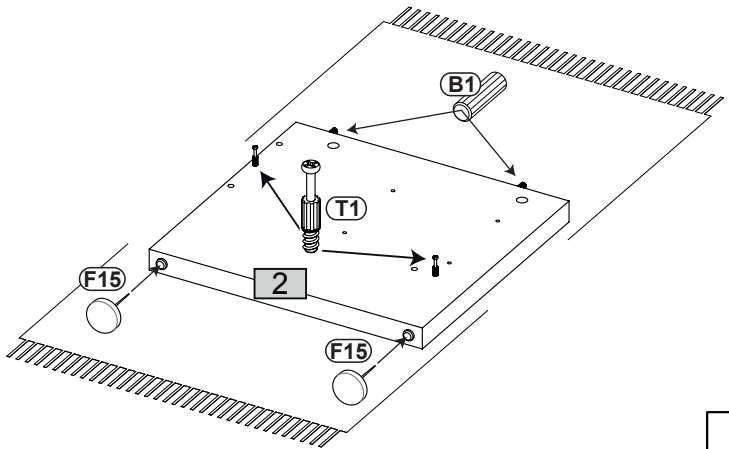
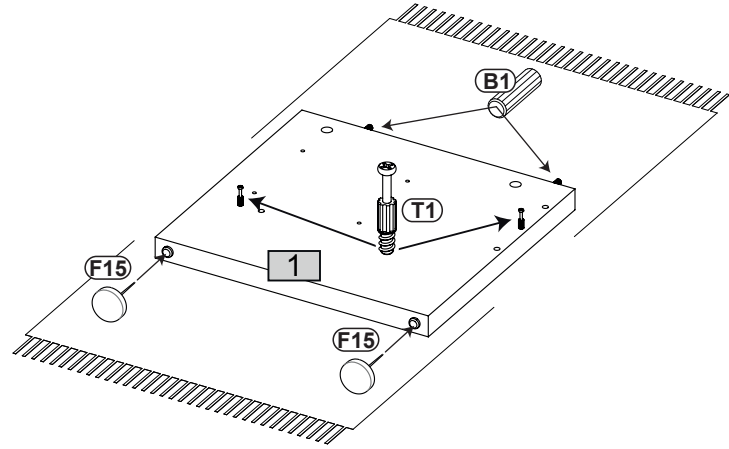
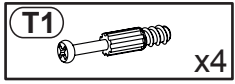
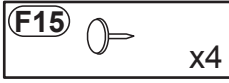
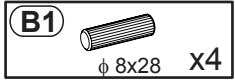
x2



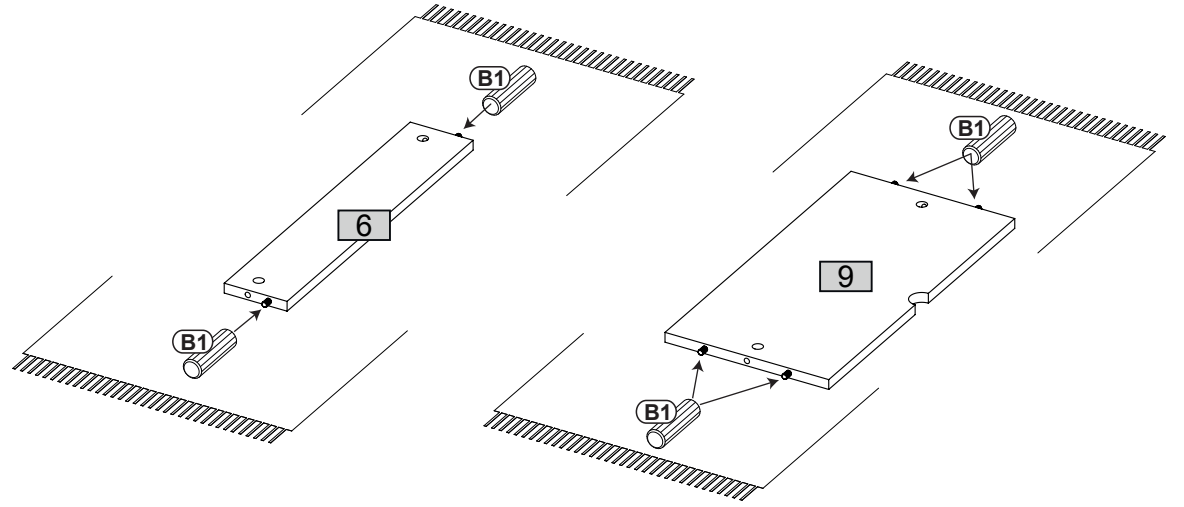
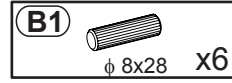
x2



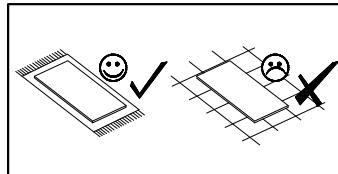
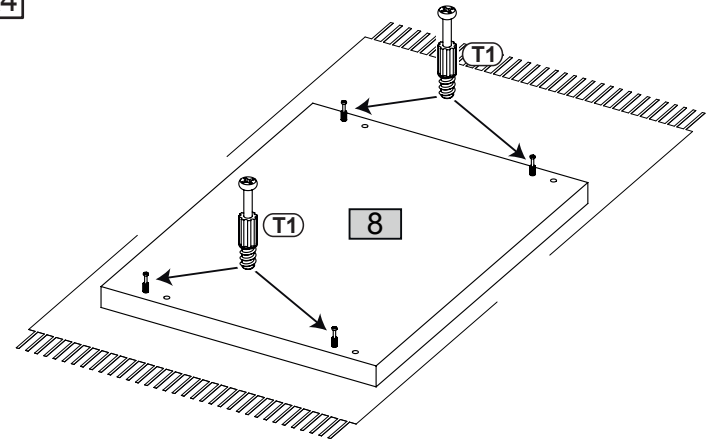
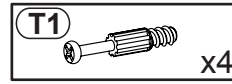
5



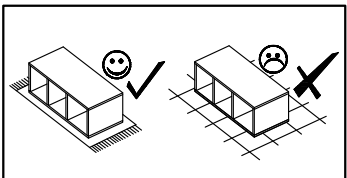
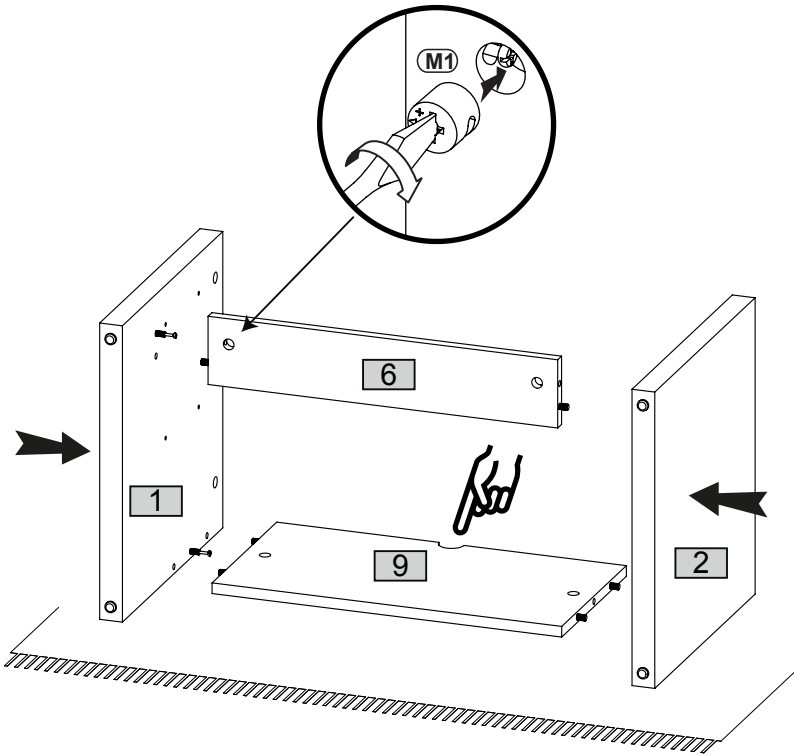
6



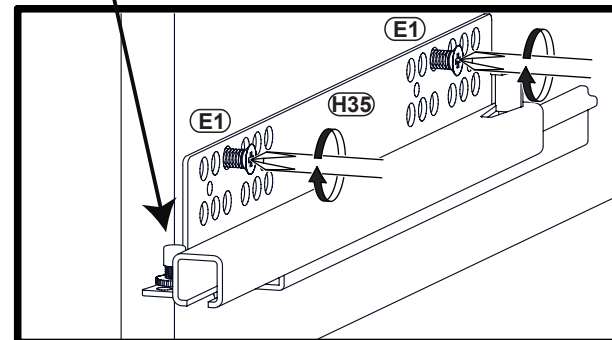
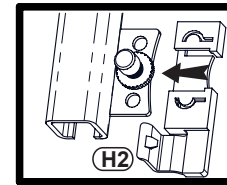
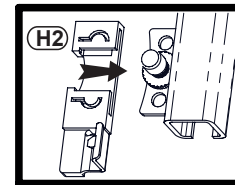
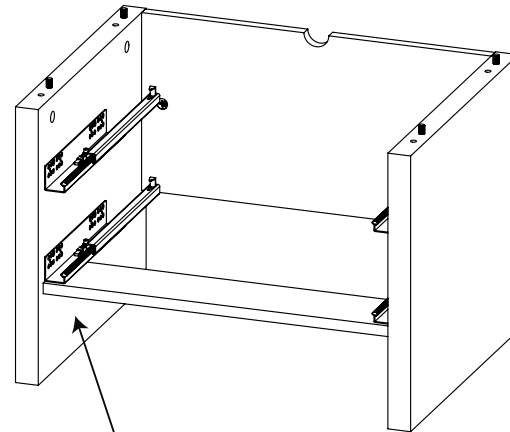
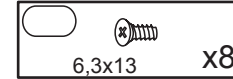
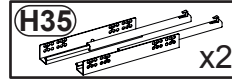
7



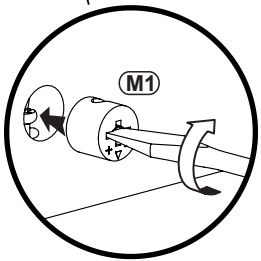
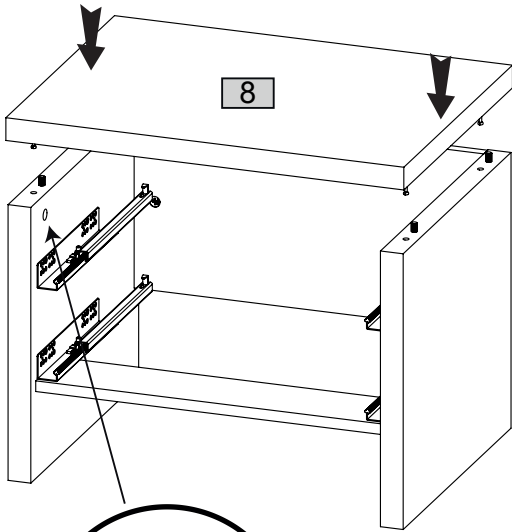
8




9




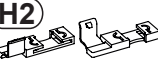
10 **M1**  x4



11 **J11**  x1 **P13**  3,5x13 x2 **T17**  $\phi 8 \times 50$ 5x60 x1

U4  x2

A14  M4x22 x2

H2  x2

